

ProxPass® II Active Tag

125 kHz Proximity

Long Range Proximity for Vehicle Access Control • 1351



ACCESS reliability.

Application

The ProxPass® II is an active tag specifically designed for vehicle access control. Providing convenient access control for parking and fleet management applications, ProxPass II is an ideal augmentation to an existing or new HID proximity installation. The ProxPass II can be encoded with any HID format and numbering system used by HID proximity cards, including the Corporate 1000 format.

Features

- ▶ Access door permits convenient battery replacement.
- ▶ Provides up to eight foot read range.
- ▶ Velcro backing attaches easily to interior of vehicle windshield.
- ▶ Attractive, durable sealed case.
- ▶ Compatible with MaxiProx® reader and all HID card formats.
- ▶ Two to five year battery life, depending on usage.
- ▶ Competitively priced as compared to VHF vehicle tags.

Features

Description	RF-programmable, customer specified ID numbers
Options	External numbering
Easily Administered	A cross-reference list correlating the external card number and the programmed ID number provides easy system administration.
Security	Offers over 137 billion unique codes.
Long Life	Dual battery design and low current draw allows two to five years with typical usage. (Replaceable battery)
Durability	Rugged, UV-resistant, sonic-welded polycarbonate case is also weather resistant
Warranty	One year warranty against defects in materials and workmanship (see complete sales policy for details).

Specifications

*Read Range using MaxiProx® reader

6 feet (1.82 m) to 8 feet (2.5 m)

*Depending on local installation conditions.

Mounting Location

Interior windshield, driver's side, upper or lower corner

Note: Ideal mounting location is on interior windshield glass.

Mounting on metal will degrade performance.

Dimensions

3.625" x 2.65" x 0.30"

(9.25cm x 6.75cm x .76cm)

Operating Temperature

-22° to 185° F (-30° to +85° C)

Battery

Two Panasonic lithium (Model BR2330)

Environmental

5 – 95% RH, non-condensing

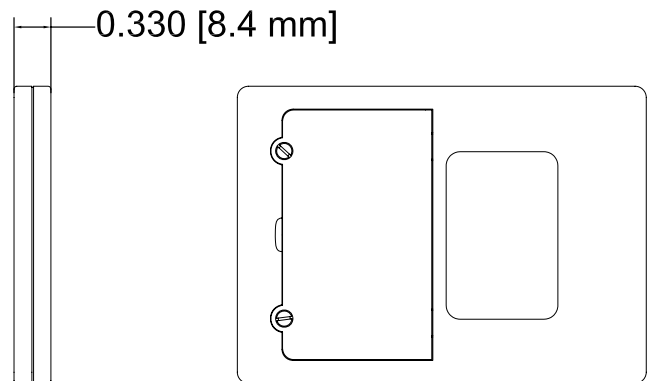
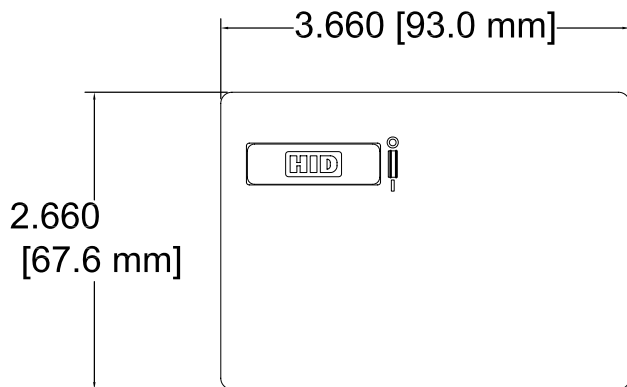
(Not for marine usage)

Certifications

FCC Certification, Canada Certification, CE Mark (Europe.)

New Zealand, Australia c-Tick, Taiwan

(Please see "How to Order Guide" for a description of the options and associated part numbers.)



© 2007 HID Global. All rights reserved. HID, and the HID logo are trademarks or registered trademarks of HID Global in the U.S. and/or other countries. All other trademarks, service marks, and product or service names are trademarks or registered trademarks of their respective owners. Rev. 3/2007



MKT-PROXPASSII-DS-EN



IDWholesaler
photo identification **for less**
www.IDWholesaler.com
(800) 321-4405
SHOP NOW ▶

internet
retailer
TOP 500
e-Retailer